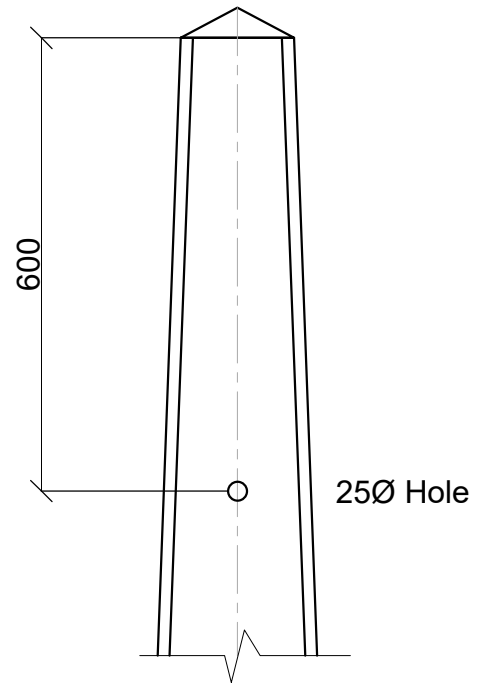
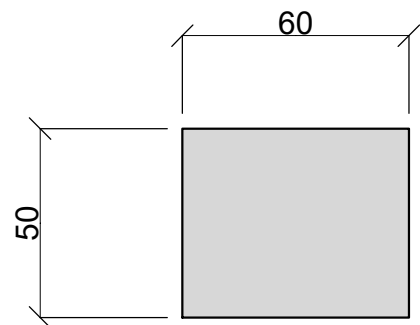


Label Plate

Custom indented
lettering with
large orders



ONE SIDE



One blank label plate
1.6mm aluminium
for site punching.

Epoxied to concrete

LABEL PLATE

Specification:

Concrete 30MPa, Reinforced
Indented lettering with large orders
Label Plate optional
Mass ± 270 kg